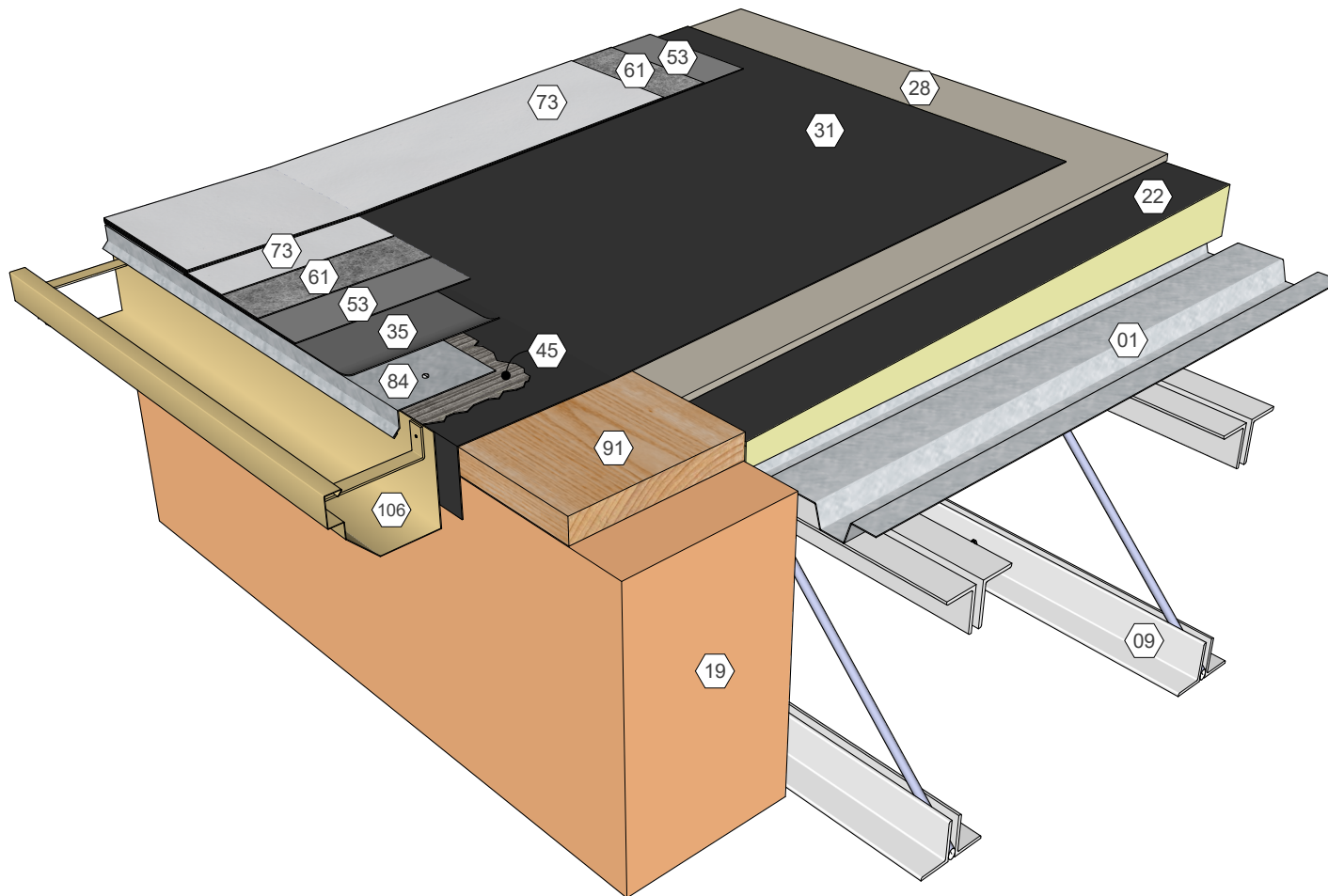
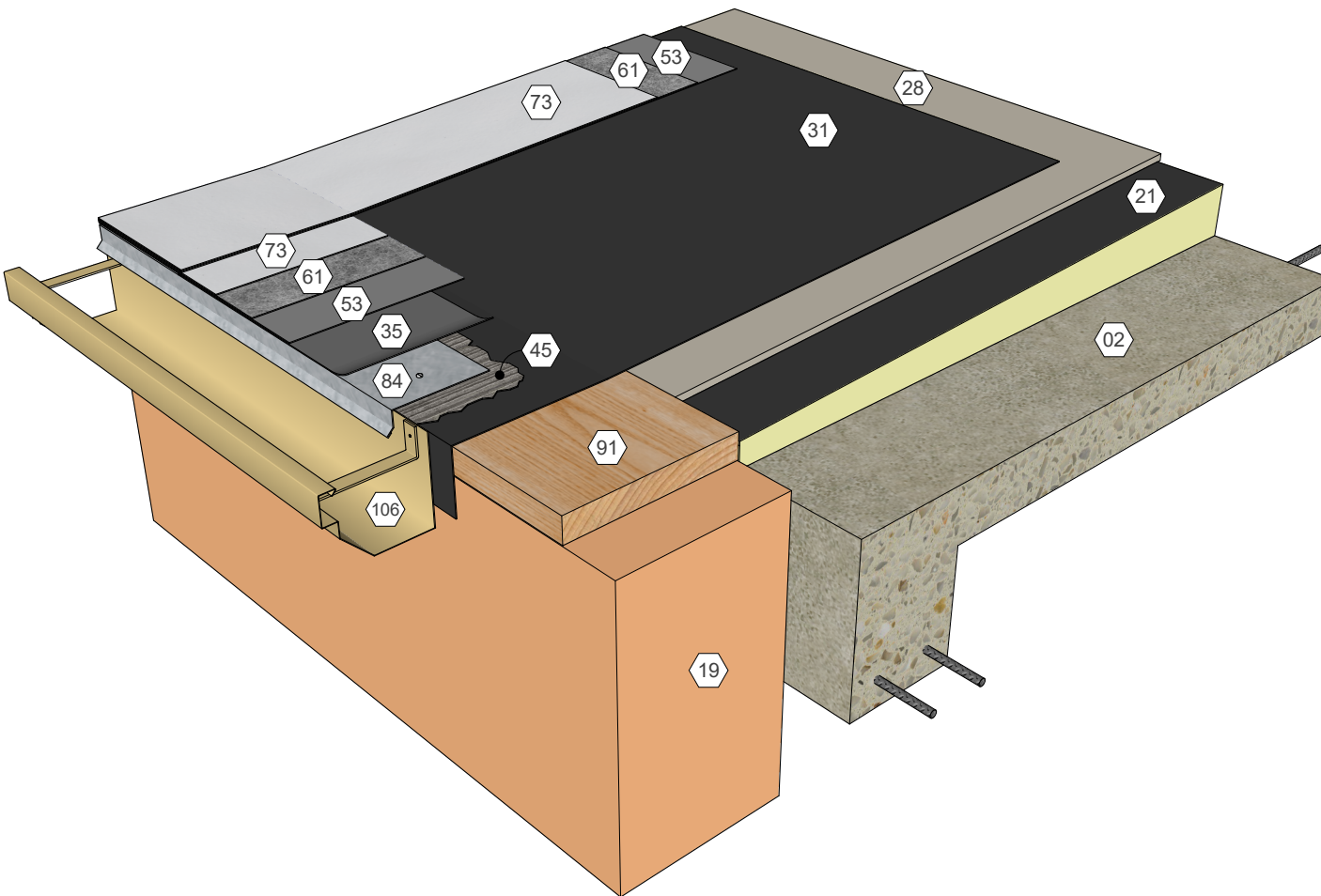


KEY NOTES

- 01 Metal Deck
- 09 Roof Structure
- 19 Wall Assembly
- 22 Polyisocyanurate Insulation (Fastened or Adhered)
- 28 Cover Board (Adhered)
- 31 Approved Base Ply Sheet
- 35 Stripping Ply
- 45 Roofing Mastic
- 53 AlphaGuard PUMA Base Coat
- 61 AlphaGuard Glass Mat or Permafab
- 73 AlphaGuard PUMA Top Coat
- 84 Sheet Metal Edge Flashing
- 91 Wood Blocking
- 106 Sheet Metal Gutter System



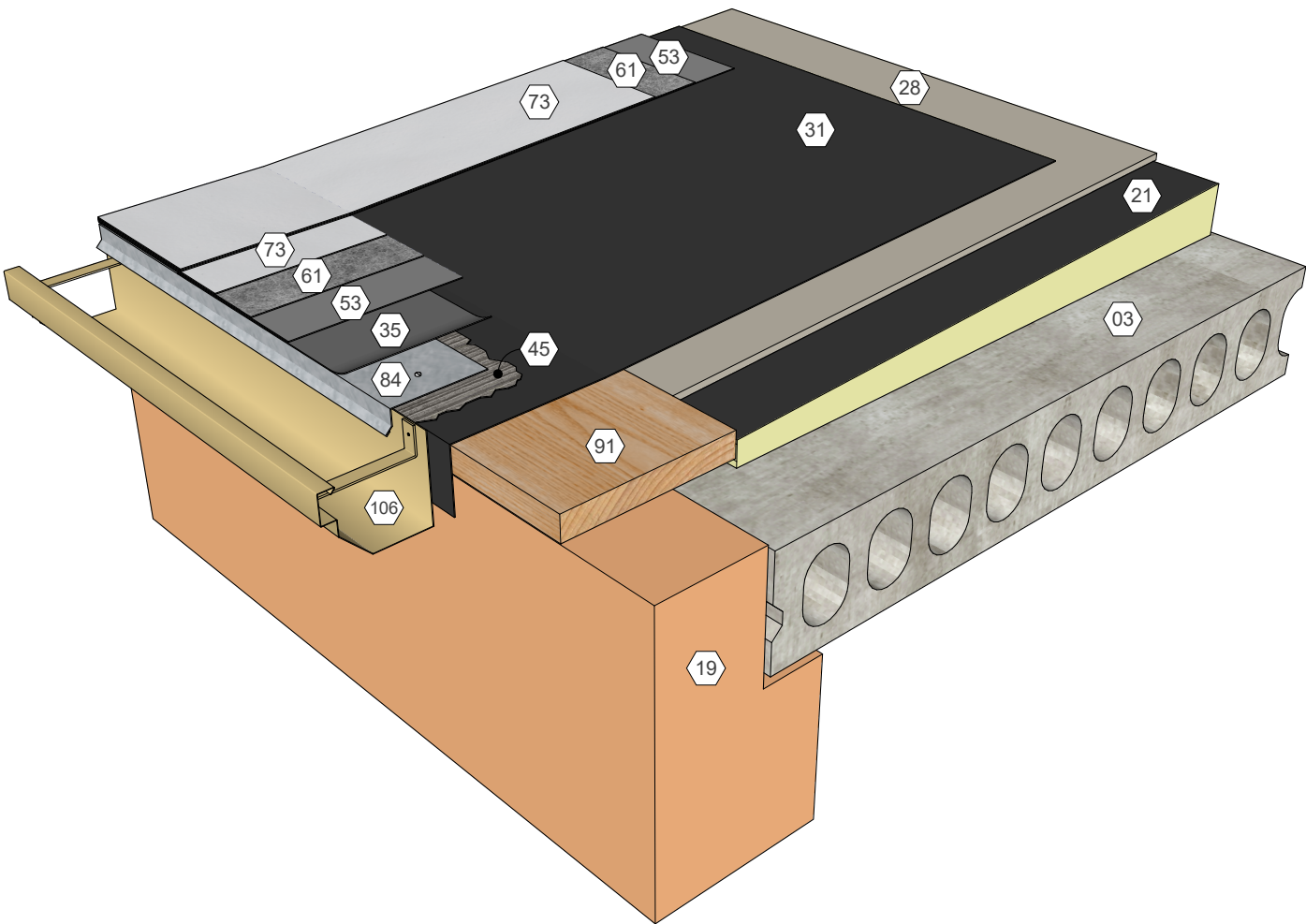
AlphaGuard® PUMA Plus Gutter Detail, Metal Deck
Detail 24551



KEY NOTES

- 02 Structural Concrete Deck
- 19 Wall Assembly
- 21 Polyisocyanurate Insulation (Adhered)
- 28 Cover Board (Adhered)
- 31 Approved Base Ply Sheet
- 35 Stripping Ply
- 45 Roofing Mastic
- 53 AlphaGuard PUMA Base Coat
- 61 AlphaGuard Glass Mat or Permafab
- 73 AlphaGuard PUMA Top Coat
- 84 Sheet Metal Edge Flashing
- 91 Wood Blocking
- 106 Sheet Metal Gutter System

AlphaGuard® PUMA Plus Gutter Detail, Structural Concrete Deck
Detail 24552



KEY NOTES

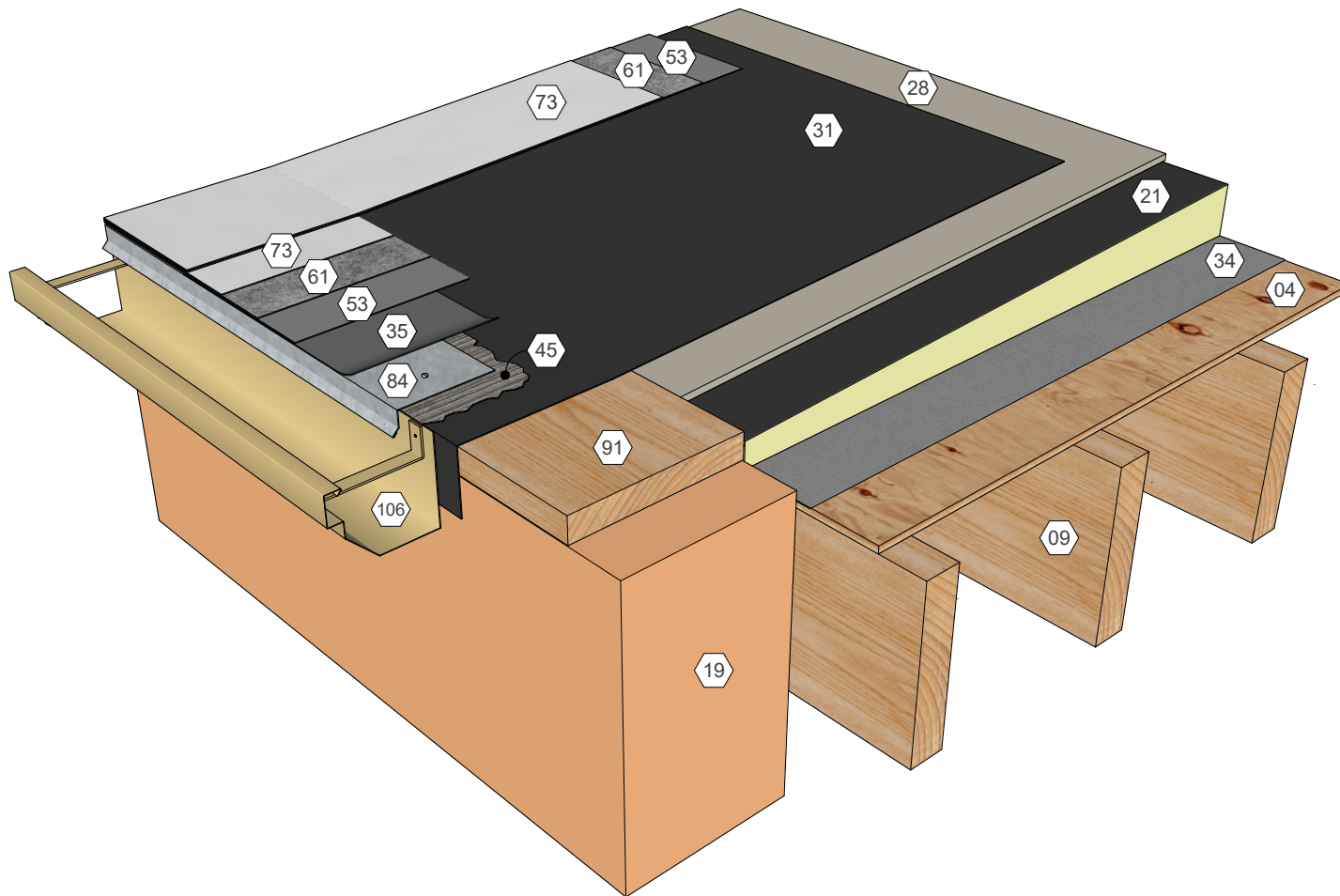
- 03 Precast Concrete Deck
- 19 Wall Assembly
- 21 Polyisocyanurate Insulation (Adhered)
- 28 Cover Board (Adhered)
- 31 Approved Base Ply Sheet
- 35 Stripping Ply
- 45 Roofing Mastic
- 53 AlphaGuard PUMA Base Coat
- 61 AlphaGuard Glass Mat or Permafab
- 73 AlphaGuard PUMA Top Coat
- 78 AlphaGuard PUMA Top Coat
- 84 Sheet Metal Edge Flashing
- 91 Wood Blocking
- 106 Sheet Metal Gutter System

AlphaGuard® PUMA Plus Gutter Detail, Precast Concrete Deck
 Detail 24553



KEY NOTES

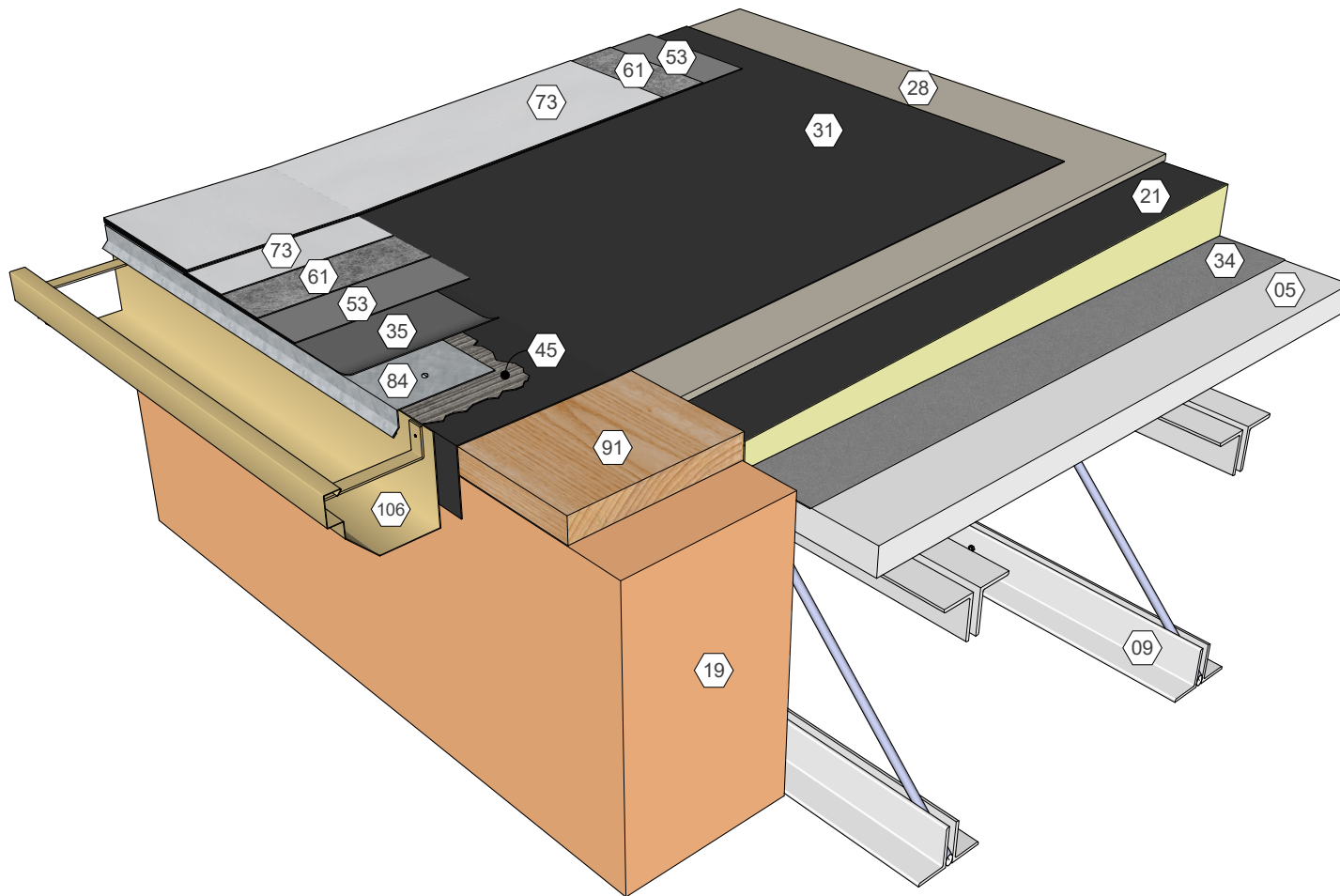
- 04 Wood Deck
- 09 Roof Structure
- 19 Wall Assembly
- 21 Polyisocyanurate Insulation (Adhered)
- 28 Cover Board (Adhered)
- 31 Approved Base Ply Sheet
- 34 Base Sheet (Fastened)
- 35 Stripping Ply
- 45 Roofing Mastic
- 53 AlphaGuard PUMA Base Coat
- 61 AlphaGuard Glass Mat or Permafab
- 73 AlphaGuard PUMA Top Coat
- 84 Sheet Metal Edge Flashing
- 91 Wood Blocking
- 106 Sheet Metal Gutter System



AlphaGuard® PUMA Plus Gutter Detail, Wood Deck
Detail 24554

KEY NOTES

- 05 Gypsum Deck
- 09 Roof Structure
- 19 Wall Assembly
- 21 Polyisocyanurate Insulation (Adhered)
- 28 Cover Board (Adhered)
- 31 Approved Base Ply Sheet
- 34 Base Sheet (Fastened)
- 35 Stripping Ply
- 45 Roofing Mastic
- 53 AlphaGuard PUMA Base Coat
- 61 AlphaGuard Glass Mat or Permafab
- 73 AlphaGuard PUMA Top Coat
- 84 Sheet Metal Edge Flashing
- 91 Wood Blocking
- 106 Sheet Metal Gutter System



AlphaGuard® PUMA Plus Gutter Detail, Gypsum Deck
Detail 24555